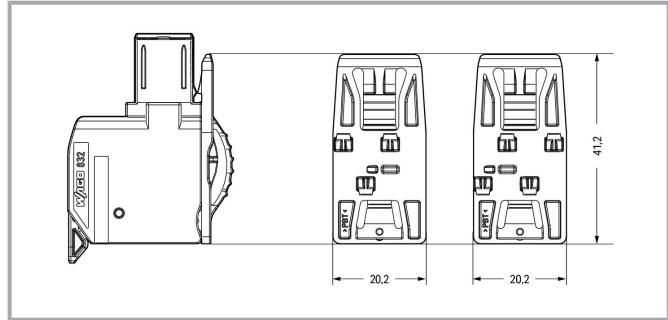


Data sheet | Item number: 832-523

Locking lever; for odd pole numbers; orange

www.wago.com/832-523



Data

Physical data

Width 20.2 mm

Mechanical data

Mounting type Snap-in mounting

Suitable for standard male and female connectors

Plug-in connection

Locking of plug-in connection Locking lever

Subject to changes. Please also observe the further product documentation!

WAGO Corporation
Germantown, WI 53022
Phone: 1-800-DIN-RAIL (346-7245) | Fax: (262) 255-6222
Email: info.us@wago.com | Web: www.wago.us

Do you have any questions about our products?
We are always happy to take your call at (262) 255-6222 or 1 800-DIN-RAIL.



Material data

Color	orange
Material group	I
Insulation material	Polybutylene terephthalate (PBT)
Weight	2.2 g

Commercial data

Packaging type	BOX
Country of origin	DE
GTIN	4055143935364
Customs tariff number	8538906000

Downloads

Documentation

Additional Information

Technical explanations	Apr 3, 2019	pdf 2.0 MB	Download
------------------------	-------------	---------------	----------

Environmental Product Compliance

Compliance Search

Environmental Product Compliance 832-523 Locking lever; for odd pole numbers; orange	URL	Download
---	-----	----------

Installation Notes

Installation

Subject to changes. Please also observe the further product documentation!

WAGO Corporation
Germantown, WI 53022
Phone: 1-800-DIN-RAIL (346-7245) | Fax: (262) 255-6222
Email: info.us@wago.com | Web: www.wago.us

Do you have any questions about our products?
We are always happy to take your call at (262) 255-6222 or 1 800-DIN-RAIL.



Locking lever; for field assembly



Locking lever; for field assembly



Locking lever; for field assembly

Subject to changes. Please also observe the further product documentation!

WAGO Corporation
Germantown, WI 53022
Phone: 1-800-DIN-RAIL (346-7245) | Fax: (262) 255-6222
Email: info.us@wago.com | Web: www.wago.us

Do you have any questions about our products?
We are always happy to take your call at (262) 255-6222 or 1 800-DIN-RAIL.